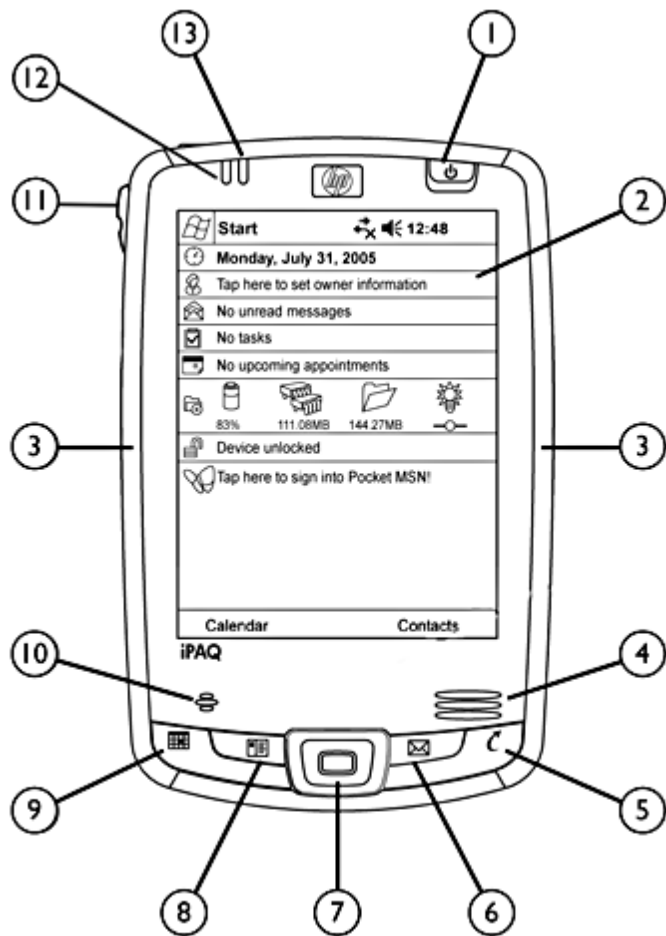
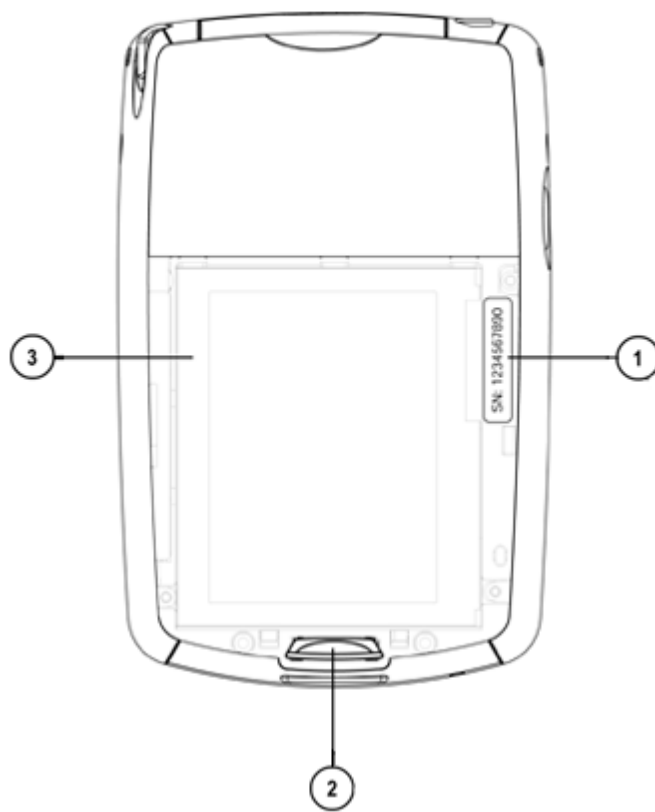


Overview



Front Image

- | | |
|----------------------------|--------------------------------|
| 1. Power Button | 8. Contacts Button |
| 2. Color Display | 9. Calendar Button |
| 3. Rubber Side Grips | 10. Microphone |
| 4. Speaker | 11. Voice Record Button (side) |
| 5. iTask Button | 12. Wireless LED |
| 6. Messaging Button | 13. Charging/Notification LED |
| 7. 5-way Navigation Button | |



Back Image

1. Serial number under battery door
2. Battery Door Cover Release
3. Battery Door Cover

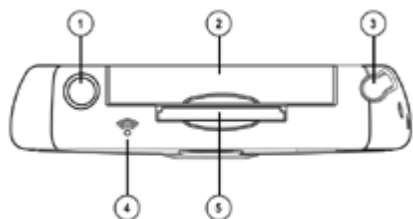
NOTE: This image shows the product with the battery door removed.

Overview

At A Glance

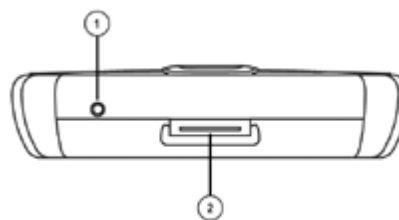
- Intel® PXA270 Processor 312 MHz
- Integrated Bluetooth® wireless technology¹
- Integrated Compact Flash type II (CF) and Secure Digital (SDIO) slots
- HP ProtectTools secured by Credant Technologies security application⁴
- 3.5" transfective TFT QVGA color LED backlight display, landscape and portrait display modes
- Microsoft® Windows Mobile™ 5.0 Software for Pocket PC, Premium Edition
- Removable/rechargeable 920 mAh battery
- Integrated Serial IR
- Protective plastic flip cover
- Pocket versions of familiar applications like Microsoft® Outlook®, Word, Excel, and PowerPoint

NOTE: ¹ A standard WLAN (Wi-Fi) infrastructure, other Bluetooth-enabled devices, separately purchased equipment, and a service contract with a wireless airtime provider may be required for applicable wireless communication. Wireless Internet use requires a separately purchased service contract. Check with wireless network service providers for availability and coverage in your area. Not all web content available.



Top Image

1. Headphone/Headset Jack
2. Compact Flash (CD) Expansion Slot
3. Stylus
4. Serial IR (Infrared) Port
5. Secure Digital (SDIO) Expansion Slot



Bottom Image

1. Reset Button
2. Charging ActiveSync Connector

Standard Features

Models

iPAQ Pocket PC hx2190 – 128 MB ROM, 64 MB SDRAM, Bluetooth and Serial IR

FA673A#ABA – US Commercial, English

Processor	Intel® PXA270 Processor 312 MHz NOTE: Intel's processor numbering is not a measurement of higher performance.
------------------	---

Memory	User Available Memory 192 MB total memory (128 MB ROM and 64 MB SDRAM) Up to 80 MB user available persistent storage memory
---------------	---

Display	Type Transflective TFT QVGA color with LED backlight with power save mode Modes Portrait and landscape Number of Colors 64K color (65,536 colors) 16-bit Touch Screen Yes Resolution (W x H) 240 x 320 pixels Dot Pitch 0.24 mm Viewable Image Size 3.5 in (89 mm)
----------------	---

Hardware Buttons/ Reset Buttons	Power, soft reset, 5-way navigation, voice record, calendar, contacts, messaging, and iTask buttons. (The last 5 buttons are re-programmable.)
--	---

Stylus	One – Included in the box
---------------	---------------------------

Audio	Integrated microphone, speaker and one 3.5 mm stereo headphone jack
--------------	---

Indicators	LED 1 – Power Solid amber LED – battery in unit fully charged Flashing amber LED – battery in unit charging Flashing green LED – event alarm/notification LED 2 – Wireless Flashing blue LED – wireless Radio enabled
-------------------	--

Cradle Interfaces	Connector 1 – 22 pin DC Power jack connector 1 for AC/DC Adapter connection
--------------------------	--

Standard Features

Other interfaces	IrDA (SIR)
	USB 2.0 Client – Supported via HP standard 22-pin cradle interface
	Serial RS232 – Supported via HP standard 22-pin cable interface (cable must be purchased separately)
	NOTE: Some HP authorized options may not be supported. See http://www.hp.com/go/ipaqaccessories .

SD Slot	Support 1-bit SDIO and 4-bit SD/MMC type memory standard
---------	--

CF Slot	1 Type II
---------	-----------

Power Supply	Battery	Removable/rechargeable 920 mAh Lithium-Ion (user changeable) Optional extended 2880 mAh Lithium-Ion battery available for purchase separately (http://www.hp.com/go/ipaqaccessories).
	AC Power	AC Input: 100~240 Vac, 50/60 Hz, AC Input current: 0.3 Aac max Output Voltage: 5Vdc (typical), Output Current: 2A (typical)

NOTE: Battery run time varies based on the usage pattern of an individual user and the configuration of the handheld. Use of internal wireless capabilities and backlight will significantly decrease battery run time.

AC Adapter	Dimensions (H x W x D)	3 x 1.9 x 1.8 in (76 x 48 x 44 mm – including prongs), (may vary by model)		
	Cord Length (approx.)	6 ft (1.83 m)		
	Power Supply Ratings	Voltage Range	100 to 240 V Switching	
		Input Current	0.3 Aac	
		Input Frequency	50 to 60 Hz	
		Output Voltage	5 VDC	
		Output Current	2 Amp	

System Unit	Dimensions (H x W x D)	4.71 x 3.01 x .65 in (119.4 x 76.6 x 16.3 mm)	
	Weight	5.8 oz (164.4 g)	
	Operating Temperature	32° to 104° F (0° to 40° C)	
	Storage Temperature	-4° to 140° F (-20° to 60° C)	
	Operating Humidity	90% RH	
	Regulatory Marks	Electrical	FCC Class B, UL or CSA NRTL
Safety		C-UL, NOM	

Design Features	4 programmable application quick-launch buttons, 5-way navigation button, touch-sensitive display for stylus or fingertip, voice record button, microphone and speaker, rubber sides for a comfortable grip
-----------------	---

Standard Features

Operating System Microsoft® Windows Mobile™ 5.0 for Pocket PC, Premium Edition
Mobile versions of Microsoft software are included (Outlook®, Word®, Excel®, PowerPoint®, Windows Media® Player, and Internet Explorer®)

Operating System Applications Powered by Microsoft® Windows Mobile™ 5.0 Software for Pocket PC, Premium Edition; Calendar, Contacts, Messaging (with Spell Checker for email), Tasks, Voice Recorder, Notes, Word Mobile (with Spellchecker), Excel Mobile, PowerPoint Mobile Internet Explorer Mobile, Windows Media Player 10 Mobile, Calculator, Solitaire, Jawbreaker, File Explorer, Terminal Services Client, Beam, Clock, Align Screen, Memory, Volume.

In the box HP iPAQ hx2190 series Pocket PC, lithium-Ion 920 mAh removable/rechargeable battery, AC adapter, charger adapter, USB desktop synchronization cable, stylus, protective plastic flip cover, HP iPAQ Product Information Guide, and HP iPAQ Getting Started disc.

Additional Software and links Outlook 2002, Microsoft ActiveSync 4.0, Microsoft Reader eBooks, and links to Microsoft websites for additional downloadable applications (**NOTE: some programs may require purchase of additional desktop software to utilize Pocket PC versions**).

Service and Support One-year parts and labor in most regions; 90 days technical support for software in most regions. Additional offers may vary by region.

HP Exclusive Applications

- HP ProtectTools secured by Credant Technologies: help secure your device and your data⁴
- Bluetooth Phone Manager: connect to a Bluetooth enabled phone and browse the Internet^{1,2,3}
- Bluetooth Manager: manage your Bluetooth connections and settings
- iPAQ Wireless: manage your wireless connections
- iTask: launch and switch between tasks and applications
- HP Image Zone for Pocket PC: view images and create slide shows
- Utilities: Self Test, iPAQ Audio, Power Status, Certificate Enroller

Getting Started Disc from HP

Applications

Full Versions

ActiveSync 4.0
Adobe Reader for PC
BVRP Live Update
Funk Odyssey 4.0
Microsoft Outlook 2002
WorldMate (NA Retail only)
Windows Media Player 10

Trial Versions

Audible Player

CD Links

Handango

Additional Documentation

Important Safety Information on PDF, and Additional Product Information on PDF

NOTE: Programs may vary based on model. Some programs are accessed through CD links to download web sites.

Bluetooth® Specifications¹

Technology

High-speed, low-power, short-range wireless communication with other Bluetooth devices



Standard Features

Personal Area Networking

Collaborate, chat, play games, exchange data¹

Adhoc peer to peer networking¹

Basic Printing and Hard Copy Replacement Profiles

Print to any HP Bluetooth enabled printer without the need for cables or specific print drivers

Certifications

All necessary regulatory approvals for countries supported including:
Bluetooth logo (FCC (47 CFR) Part 15C, Section 15.247&15.249 ETS 300 328, ETS 301 489-1/17 Low Voltage Directive IEC950 UL and CE Mark)

NOTE:

¹ A standard WLAN (Wi-Fi) infrastructure, other Bluetooth-enabled devices, separately purchased equipment, and a service contract with a wireless airtime provider may be required for applicable wireless communication. Wireless Internet use requires a separately purchased service contract. Check with wireless network service providers for availability and coverage in your area. Not all web content available.

Options

NOTE: Optional accessories are available at additional cost.

Memory/Storage	128 MB SD Memory Card	FA135A#AC3
	256 MB SD Memory Card	FA136A#AC3
	512 MB SD Memory Card	FA184A#AC3
	1 GB SD Memory Card	FA283A#AC3
	128 MB miniSD Memory Card*	FA602A#AC3
	256 MB miniSD Memory Card*	FA603A#AC3
	512 MB miniSD Memory Card*	FA604A#AC3
* Models with full-sized SD slots will require the use of an SD adapter (included).		
Power	1440 mAh Lithium Ion Standard Battery	FA285A#AC3
	2880 mAh Lithium Ion Extended Battery	FA286A#AC3
	Automobile Adapter	FA125A#AC3
	Charger Adapter	FA133A#AC3
	AC Adapter (WW)	FA372A#AC3
Synchronization	Desktop Cradle	FA260A#AC3
	AutoSync Cable (USB and Serial)	FA122A#AC3
Input Devices	Stylus Three-pack	FA261A#AC3
	Foldable Keyboard	FA118A#ABA
	Wireless Bluetooth folding keyboard	FA287A#AC3
	Thumb Keyboard	FA302A#AC3
Navigation	iPAQ Navigation System – (U.S. only)	FA196A#ABA
Headphones	Bluetooth Stereo Headphones	FA303A#ABA
Cases	Premier Leather Case	FA662A#AC3
	iPAQ Rugged Case	FA288A#AC3
	Nylon slim Case	FA161A#AC3
	Leather Belt Case	FA160A#AC3
	Premier Leather Belt Case	FA350A#AC3
	Custom Cases: to view and order go to: http://www.casesonline.com	

Options

NOTES:

¹ A standard WLAN (Wi-Fi) infrastructure, other Bluetooth-enabled devices, separately purchased equipment, and a service contract with a wireless airtime provider may be required for applicable wireless communication. Wireless Internet use requires a separately purchased service contract. Check with service provider for availability and coverage in your area. Not all web content available.

² Requires Bluetooth enabled mobile, separately purchased wireless carrier/Internet service plan(s) and supporting IT infrastructure.

³ Telephone service requires separately purchased contract with a telephone service provider with coverage in your service area.

⁴ User must have HP Protect Tools features enabled.

HP iPAQ Pocket PC features Windows Mobile™ software

For more information on HP iPAQ Pocket PC, visit our website at <http://www.hp.com/go/iPAQ>

©Copyright 2005 Hewlett-Packard Development Company, L.P. The information contained herein is subject to change without notice. The only warranties for HP products and services are set forth in the express warranty statements accompanying such products and services. Nothing herein should be construed as constituting an additional warranty. HP shall not be liable for technical or editorial errors or omissions contained herein. Microsoft, Windows, and the Windows Logo are U.S. registered trademarks of Microsoft Corporation. Intel and the Intel inside logo are trademarks or registered trademarks of Intel Corporation or its subsidiaries in the U.S. and other countries.