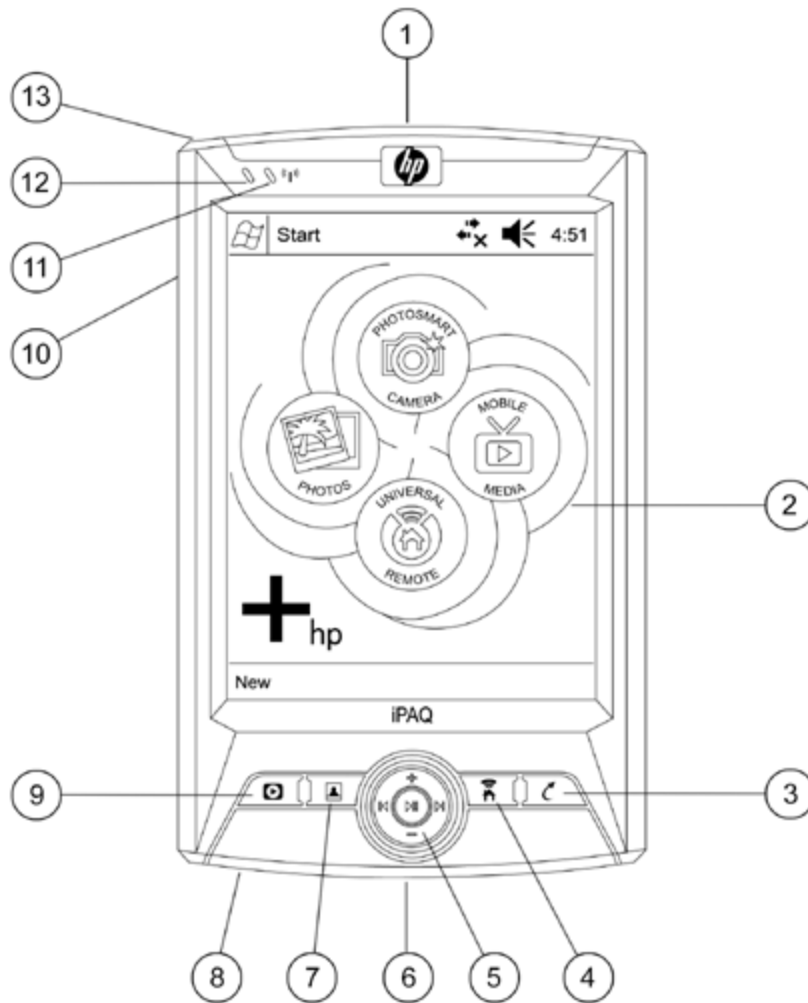
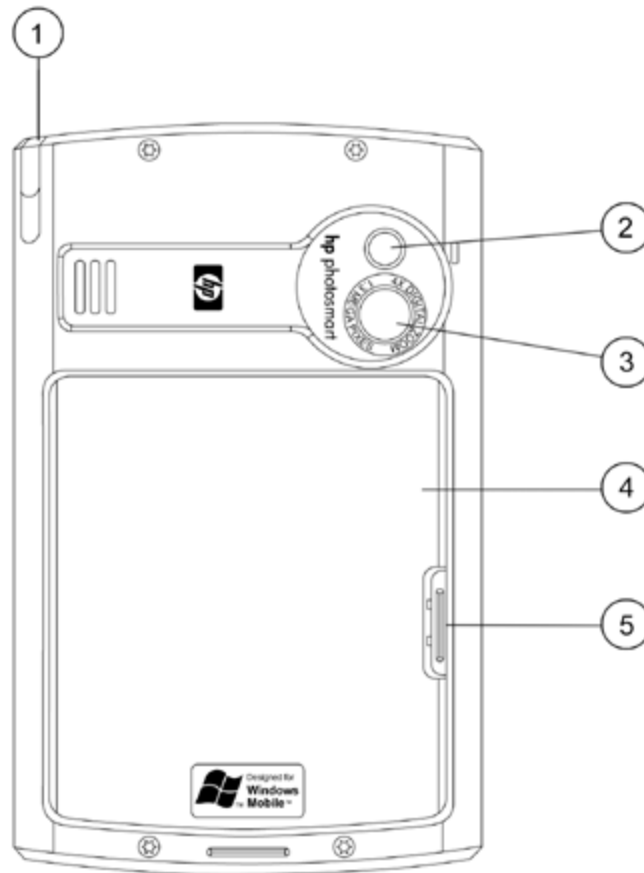


Overview



- | | |
|---|--|
| 1. SDIO Expansion Slot | 8. Soft Reset Button |
| 2. QVGA Color Display | 9. iPAQ Mobile Media Shortcut |
| 3. iTask Shortcut | 10. HP Photosmart Camera Shortcut/Image Capture Button |
| 4. Universal Remote Shortcut | 11. Wireless LED indicator |
| 5. 5-Way Navigation Controller Touchpad | 12. Charge/Notification LED |
| 6. Universal Connector | 13. Headphone Jack |
| 7. HP Image Zone Shortcut | |

Overview



1. Stylus
2. Self-Portrait Mirror
3. Digital Camera Lens
4. Battery Cover
5. Battery Cover Release Latch

At A Glance

- Browse and play your music, photos, and video collections over Wi-Fi from anywhere in your home
- Capture quality photos and video with the integrated 1.2 mega pixel Photosmart camera
- Play MP3 and WMA music
- Watch WMV, MPEG1, AVI, MPEG4 videos and movies
- Integrated Universal Remote Control
- Integrated Wi-Fi (WLAN 802.11b¹)
- Integrated Bluetooth®¹ wireless technology
- Integrated SD expansion slot
- Dazzling Transflective QVGA TFT color display
- Microsoft® Windows Mobile™ 2003 Second Edition software for Pocket PC

NOTE: ¹ A standard WLAN infrastructure, other Bluetooth-enabled devices, separately purchased equipment, and a service contract with a wireless airtime provider may be required for applicable wireless communication. Wireless Internet use requires a separately purchased service contract. Check with service provider for availability and coverage in your area. Not all web content available.

Standard Features

Models

HP iPAQ rx3715 Mobile Media Companion – 1.2MP Camera,WiFi, and Bluetooth

FA281A#ABA – U.S., Canada, Latin America

Processor		400 MHz Samsung S3C 2440 processor
------------------	--	------------------------------------

Memory	User Available Memory	152 MB user available memory (includes 96 MB of iPAQ File Store)
---------------	------------------------------	--

Display	Type	Transflective type QVGA TFT
	Modes	Portrait and Landscape
	Number of Colors	64K color (65,536 colors) 16-bit
	Touch Screen	Yes
	Resolution (W x H)	240 x 320
	Size	3.5 in (89 mm)

Photosmart Camera	Resolution	1.2 Mega pixels
	Image Quality	1280 x 960 pixels
	Digital Zoom	4x
	Minimum Illumination	5 lux
	File Format for captured images	JPEG
	Video Recording	H.263 and MotionJPEG
	Video Playback	MPEG4, MotionJPEG, and MPEG1
	Special Features	Self-portrait mirror

Hardware Buttons/Reset Buttons		One power button, one reset button, four software programmable application buttons, one 5-way navigation controller touchpad, one voice record/image capture button.
---------------------------------------	--	--

Stylus		One
---------------	--	-----

Audio		Integrated microphone, speaker and one 3.5 mm stereo headphone jack, MP3 stereo through headphone jack
--------------	--	--

Indicators	Charge and Notify	Blinking green – notification Blinking amber – charging Solid amber – full charge
	Bluetooth and WLAN	Solid blue LED – radio ON

Cradle Interfaces	Universal Connector	1 – 22 pin connector for synchronization and charging
--------------------------	----------------------------	---

Standard Features

Other interfaces	IrDA	Supported (Serial IR/Consumer IR)	
	USB Client	Supported via cradle interface	
	Serial	RS232 supported via cradle interface	
	Sync/Data Connector	USB 1.1 client	
<hr/>			
SD Slot	Support 4-bit SDIO and 4-bit SD/MMC type memory standard. SDIO Now! driver included.		
<hr/>			
Power Supply	Battery	Removable/Rechargeable 1440 mAh Lithium-Ion user swappable battery. Optional extended 2880 mAh Lithium-Ion battery available for purchase (http://www.hpshopping.com/ipaqaccessories) Estimated usage time of fully charged battery is up to 12 hours. Charging time up to 1.5 hours	
	AC Power	AC Input: 100~240 Vac, 50/60 Hz, AC Input current: 0.2 Aac max Output Voltage: 5Vdc (typical), Output Current: 2A (typical)	
NOTE: Battery run time varies based on the usage pattern of an individual user and the configuration of the handheld. Use of internal wireless capabilities and backlight will significantly decrease battery run time.			
<hr/>			
AC Adapter	Dimensions (H x W xD)	3 x 1.9 x 1.8 in (76 x 48 x 44 mm - including prongs), (may vary by model)	
	Cord Length (approx.)	6 ft (1.83 m)	
	Power Supply Ratings	Voltage Range	100 to 240 V Switching
		Input Current	0.3 Aac
		Input Frequency	50 to 60 Hz
		Output Voltage	5 VDC
		Output Current	2 Amp
<hr/>			
System Unit	Dimensions (H x W x D)	4.5 x 2.8 x 0.64 in (114.3 x 71.2 x 16.3 mm)	
	Weight	5.6 oz (158.1g including the 1440mAh battery and stylus)	
	Operating Temperature	32° to 104° F (0° to 40° C)	
	Storage Temperature	-4° to 140° F (-20° to 60° C)	
	Operating Humidity	90% RH	
	Regulatory Marks	Electrical	FCC Class B, UL or CSA NRTL
Safety		C-UL, NOM	
<hr/>			
Ergonomic Design Features	4 programmable application launch buttons – defaults: iPAQ Mobile Media, HP Image Zone, Nevo Universal Remote and iTask		
<hr/>			
Operating System	Microsoft® Windows Mobile™ 2003 Second Edition software for Pocket PC (Professional Edition) Pocket versions of Microsoft software are included (Outlook, Word, Excel and Internet Explorer for Pocket PC)		
<hr/>			
Operating System Applications	Powered by Microsoft® Windows Mobile™ 2003 Second Edition for Pocket PC Calendar, Contacts, Tasks, Voice Recorder, Notes, Pocket Word (with Spellchecker), Pocket Excel, Pocket Internet Explorer, Windows Media Player 9 (MP3, audio and video streaming), Calculator, Solitaire, Jawbreaker, Messaging (with Spell Checker for email), File Explorer, Terminal Services Client, Infrared Beaming, Clock, Align Screen, Memory, Volume control, ClearType Tuner (except for Asian languages). MSN Messenger, Pocket MSN		
<hr/>			

Standard Features

In-the box HP iPAQ rx3715 Mobile Media Companion unit, AC adapter, Desktop Cradle, Carrying case, Stylus, Stereo Headphones, Getting Started Guide, Special Features Guide, "How Do I..." Guide, HP iPAQ Companion CD, HP Image Zone 3.5 for the desktop on CD

Service and Support One-year parts and labor; 90 days technical support for software. Additional offers may vary by region.

HP Exclusive Applications Experience HP iPAQ: short demonstration of the capabilities of the HP iPAQ rx3715 Mobile Media Companion
iPAQ Wireless: utility to manage wireless connections
Bluetooth Manager
HP Photosmart camera
HP Mobile Print Engine
iPAQ Entertainment Startup Screen with shortcuts to digital imaging and entertainment applications
iPAQ Mobile Media
Nevo Universal Remote
PocketTV Pro
iPAQ File Store: non-volatile storage in flash memory
iPAQ Backup: utility for Backup/Restore to Main Memory, Memory Card or iPAQ File Store
HP Image Zone for iPAQs: application to view, edit, share and print images
Ilium Dockware Personal Edition: photo screen saver
iTask
How Do I...? Guide: frequently asked setup and usage questions and answers
Utilities: Self Test, iPAQ Audio, Power Status

Companion CD from HP APPLICATIONS

Full Versions

Outlook 2002
Nevoware server
Nevoware renderer
Nevo backup
HP Image Zone 3.5 for desktops
HP Image Transfer: application to transfer digital photographs from the iPAQ to your personal computer
Experience HP iPAQ Adobe Acrobat Reader for PC
PDF Viewer for Pocket PC
Active Sync 3.7.1
HP Mobile Printing

CD LINKS

Full Versions

Audible Player
HP Handheld Software Store
iPAQ Backup upgrade
Avant Go
Windows Media Player Desktop
Microsoft Games
Additional Documentation
Safety and Comfort Guide
User's Guide
Accessory Brochure

Trial Versions

Vindigo
Ilium ListPro

Trial Versions

NOTE: Programs could vary based on model. Some programs are accessed through CD links to download web sites.

Standard Features

WLAN Specifications^{1,2}		Wireless access to the Internet, email and corporate data
Technology		
RF Network Standard		IEEE 802 Part 11b (802.11b)
Frequency Band		2,4000 to 2.4835 GHz 2,4465 to 2.4835 GHz (France) 2,4000 to 2,497 GHz (Japan)
Antenna type		Embedded Antenna
Security		WEP 64/128-bit compliant to IEEE 802.11 Compliant to 802.1X (EAP-TLS, PEAP) WPA
Network Architecture Models		Ad-hoc (Peer to Peer) Infrastructure (Access Points Required)
Modulation Technique		Direct Sequence Spread Spectrum
Modulation Schemes		DBPSK, DQPSK, CCK
Receiver Sensitivity - Packet Error Rate (8E-2)		11 Mbps: < -80 dBm 5.5 Mbps: < -82 dBm 2 Mbps: < -86 dBm 1 Mbps: < -89 dBm
Maximum Receive Level		-10dBm (1/2/5.5/11 Mbps)
Output Power (approximately)		15 dBm
Power Management		Radio On/Off control through Microsoft Connection icon, (need to verify) Power Save mode available in Power Settings
Power Consumption		Transfer mode: < 300 mA, average Receive mode: < 200 mA, average
Power Saving Option		802.11 Compliant Power Saving, idle mode 20 mA
Media Access Protocol		CSMA/CA (Collision Avoidance) with ACK
Protocols Supported		TCP/IP IPX/SPX UDP
Operating Distance		Up to 1000 feet – Open sight
Certifications		All necessary regulatory approvals for countries we support including: WECA Wi-Fi approval FCC (47 CFR) Part 15C, Section 15.247&15.249 ETS 300 328, ETS 301 489-6 Low Voltage Directive IEC950 UL, CSA, and CE Mark

NOTE:

¹ A standard WLAN infrastructure, other Bluetooth-enabled devices, separately purchased equipment, and a service contract with a wireless airtime provider may be required for applicable wireless communication. Wireless Internet use requires a separately purchased service contract. Check with service provider for availability and coverage in your area. Not all web content available.

² Wireless access point required and is not included. Availability of public wireless access points limited. Wireless Internet use may require separately purchased Internet service contract.

Standard Features

Bluetooth Specifications¹	Technology	High-speed, low-power, short-range
	Bluetooth specification	1.1 compliant (2.4-GHz Industrial Scientific Medical Band)
	System interface	High-speed UART processor interface
	User Interface	Bluetooth Manager
	Device type	Class II device; up to 4 dBm transmit, typical 10 meter range
	Power	3.3V ±5% Peak current – typical TX current at approximately 140 mA
	Receiver sensitivity	-78 dBm or greater
	Regulatory standards	R&TT#-EN 300 328 and EN 300 826, UL 1950, CB Safety Scheme inclusive of EN 60950 and IEC 950, FCC Part 15 subpart C, Canadian, CE
	Profile Support	General Access Profile Service Discovery Profile Serial Port Profile Generic Object Exchange Profile File Transfer Profile Dial-Up Networking Profile LAN Access Profile Object Push Profile Personal Area Networking Profile Basic Printing Profile
	Usage Models	Service Discovery Determine what Bluetooth devices are within range and support authorization File Transfer File and directory browsing and navigation on another Bluetooth device. File copying Object manipulation – including add, delete, create new folders etc. Serial Port Synchronization between PDAs and PCs using Activesync Printing to Bluetooth-enabled printer without the need for cables Dial Up Networking Wireless link to WAN thru Bluetooth enabled cell phone ¹ Agnostic to WAN technology Send/receive SMS messages LAN Access Wireless link to Corporate LAN using Bluetooth and appropriate Bluetooth access point ¹ Access the Internet by connecting to your desktop or notebook over Bluetooth and using its network connection ¹ Generic Object Exchange and Object Push Exchange business cards, tasks, documents, appointments and more ¹ Personal Area Networking Collaborate, chat, play games, exchange data ¹ Adhoc peer to peer networking ¹ Basic Printing Profile Print to any HP Bluetooth-enabled printer without the need for cables or specific print drivers
	Certifications	All necessary regulatory approvals for countries we support including: Bluetooth logo (FCC (47 CFR) Part 15C, Section 15.247&15.249 ETS 300 328, ETS 300 826 Low Voltage Directive IEC950 UL and CE Mark

NOTE: ¹ A standard Bluetooth wireless infrastructure and/or other devices enabled with Bluetooth may be required for applicable wireless communication.

Options

NOTE: Optional accessories are available at additional costs, see (<http://www.hpshopping.com/ipaqaccessories>) for details.

Memory/Storage*	128-MB SD Memory Card	FA135A#AC3
	256-MB SD Memory Card	FA136A#AC3
	512-MB SD Memory Card	FA184A#AC3
	1-GB SD Memory Card	FA283A#AC3

Power	1440 mAh Lithium Standard Battery	FA285A#AC3
	2880 mAh Lithium Extended Battery	FA286A#AC3
	Auto Adapter	FA125A#AC3
	Charger Adapter	FA133A#AC3
	AC Adapters	FA130A#ABA

Synchronization	USB Desktop Cradle/Charger	FA260A#AC3
	AutoSync Cable (USB and Serial)	FA122A#AC3

Input Devices	Stylus Three-pack	FA261A#AC3
	Wireless Bluetooth Foldable Keyboard	FA287A#AC3
	Foldable Keyboard	FA118A#ABA
	SDIO Camera (Photosmart Mobile Camera)	FA185A#ABA

Navigation	iPAQ Navigation System - (U.S. only)	FA196A#ABA
-------------------	--------------------------------------	------------

Headphones	Bluetooth Stereo Headphones	FA303A#AC3
-------------------	-----------------------------	------------

Cases	Nylon Case	FA161A#AC3
	Leather Belt Case	FA160A#AC3
	iPAQ Professional Protective Case	336678-001
	Leather Flip Case	FA349A#AC3
	Custom Cases: To view and place an order: http://www.ecases.com	

Options



HP iPAQ Mobile Media Companion is a Microsoft® Windows® Powered Pocket PC

For more information on HP iPAQ Pocket PC, visit our website at <http://www.hp.com/go/iPAQ>.

© Copyright 2004 Hewlett-Packard Development Company, L.P. The information contained herein is subject to change without notice. The only warranties for HP products and services are set forth in the express warranty statements accompanying such products and services. Nothing herein should be construed as constituting an additional warranty. HP shall not be liable for technical or editorial errors or omissions contained herein. Microsoft, Windows, the Windows Logo and ActiveSync are registered trademarks or trademarks of Microsoft Corporation in the United States and/or other countries. Intel is a registered trademark of Intel Corporation in the U.S. and/or other countries.